

Product Installation Guidelines

Version 4.1, 28<sup>th</sup> July 2023, Page 1 of 6

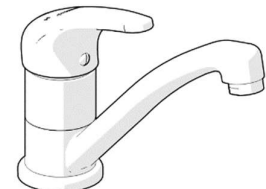
**CliniLever® SS Lead Safe™ Sink Mixer**

**PRODUCT CODES:**

- TM-SNKX
- TM-SNKXD



TM-SNKXD



TM-SNKX

**SPECIFICATIONS**

- Lead Safe™ stainless steel construction. \*
- Clean hygienic design
- Low maintenance and easy to operate.
- Smooth round designs to facilitate easy cleaning and help reduce dirt and bacteria growth.

**IMPORTANT:** All CliniLever® Taps are tested in accordance with AS/NZS 3718 and leave our premises in good working order.

\* As 'lead free' is not currently defined by law in Australia and New Zealand, we have based our definition of Lead Safe™ on the requirements of Sec.1417 of the USA's Safe Drinking Water Act (SDWA) and the relevant US standards NSF61 / NSF372. The SDWA defines 'lead free' as "not more than a weighted average of 0.25% lead when used with respect to the wetted surface of pipes, pipe fittings, plumbing fittings and fixtures".

**WARNINGS:** Special attention to be paid on notes, photos, images, or drawings of assembly steps marked with the warning symbol.

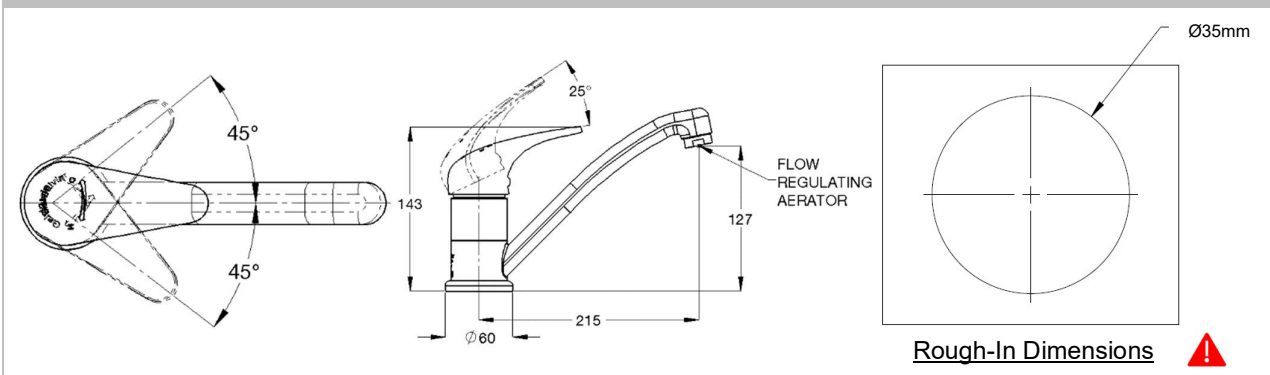


**TECHNICAL DATA**

Inlet	1/2" BSP – Female (Flexi-hoses)	
Outlet	Aerator	
Headwork	Ceramic Cartridge	
Working Pressure Range (kPa)	Min	50
	Max	500
Working Temperature Range (°C)	Min	5
	Max	80
Nominal Flow Rate (LPM)	3.00 and 4.7	
Construction	Stainless Steel	
Finish	Stainless Steel	

**NOTE:** Galvin Engineering continually strive to improve their products. Specifications may change without notice.

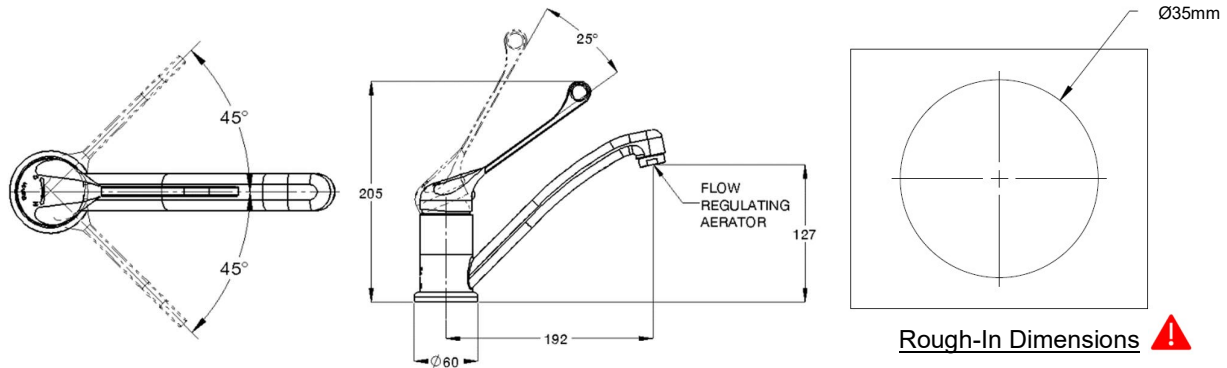
**DIMENSIONS – TM-SNKX**



**Rough-In Dimensions**

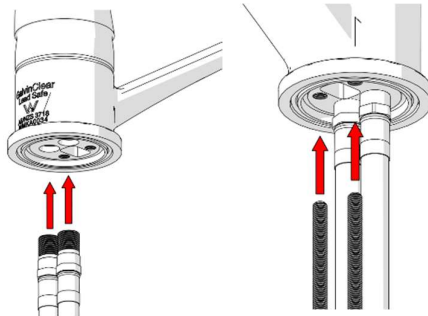


**DIMENSIONS – TM-SNKXD**



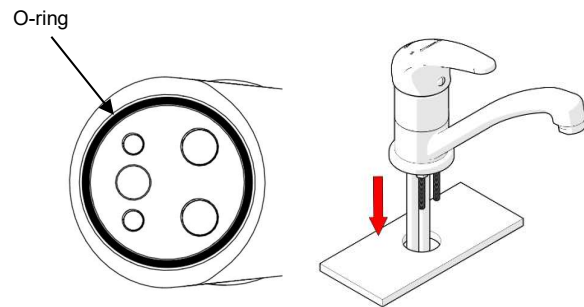
**INSTALLATION**

**INSTALLATION COMPLIANCE:** Galvin Engineering products must be installed in accordance with these installation instructions and in accordance with AS/NZS 3500, the PCA and your local regulatory requirements. Water and/or electrical supply conditions must also comply to the applicable national and/or state standards. Failing to comply with these provisions shall void the product warranty and may affect the performance of the product.



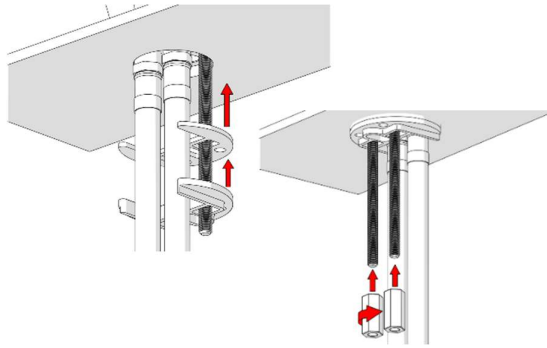
**1. Fit Mounting Hardware and Hoses**

- Screw in and tighten flexi-hoses.
- Fully screw in threaded rods as shown.



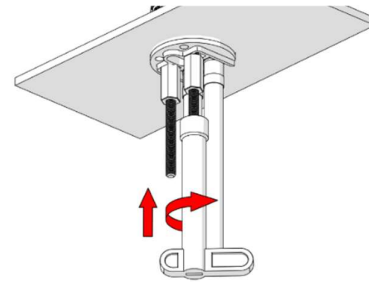
**2. Fit Tap**

- Ensure the sink mounting hole for the tap is as per the rough-in dimensions.
- Ensure the O-ring is present underneath the tap.
- Carefully fit the flexible hoses and threaded rods through the sink hole as shown.



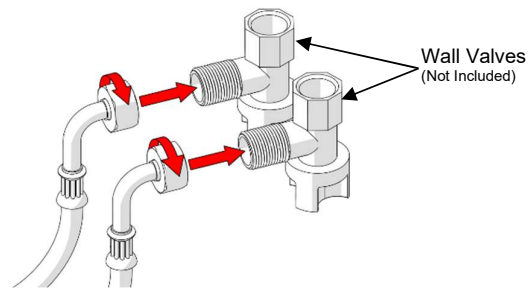
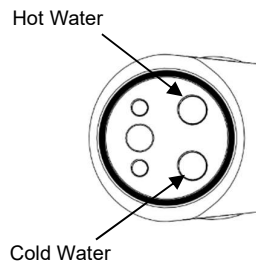
**3. Secure Tap**

- Fit the mounting gasket and bracket as shown.
- Screw hex nuts on threaded rods finger tight.



**4. Tighten Installation**

- Tighten the hex nuts using the provided tool as shown.
- Ensure the tap body doesn't move on the sink once tightened.



**5. Connect Water and Test**

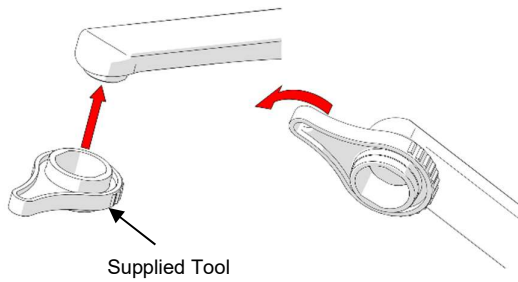
- We recommend the use of wall mounted shut off valves (not included).
- Ensure water supply lines are flushed before connecting.
- Connect the flexible hoses to the mains water as shown ensuring the hot and cold connections are correct.
- Test the tap for leaks and correct operation.

**Dual-Star Rated Items (WELS)**

*Due to some state requirements, items are required to be in higher star rating (6-star). Therefore, for some items, two flow regulators are supplied. Primarily, the higher star-rated flow regulator is equipped in the assembly.*

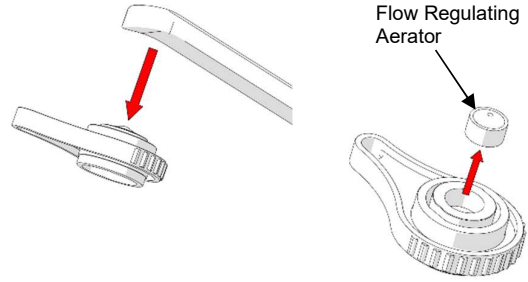
Items	Primary Flow Regulator	Alternative Flow regulator
TM-SNKX and TM-SNKXD	6-stars (blue)	5-stars (orange)

**REMOVE & INSPECT FLOW REGULATING AERATOR**



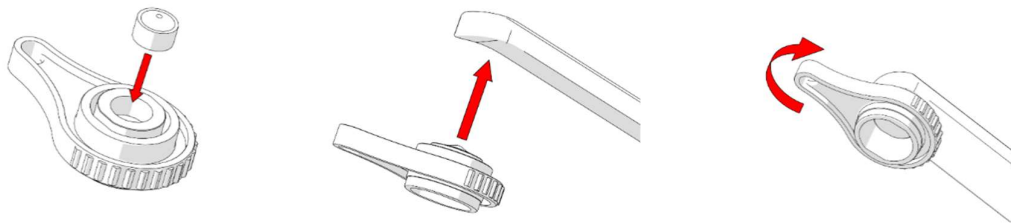
**1. Remove Aerator Housing**

- Using the supplied tool, remove the flow regulating aerator as shown.
- Ensure the flats on the outlet line up with the flats on the tool and turn anti-clockwise.



**2. Remove & Inspect**

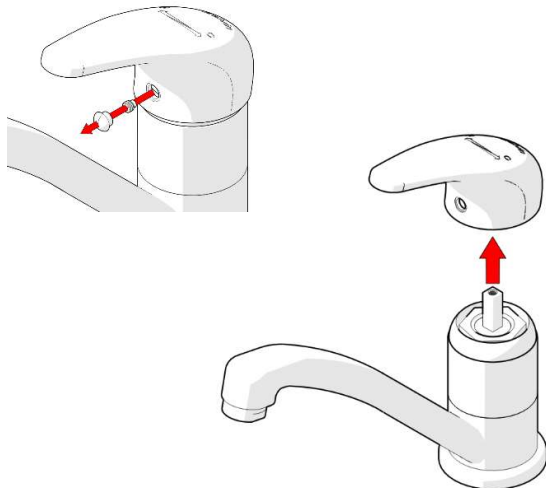
- Remove the housing and flow regulating aerator.
- Inspect for debris and clean. Replace if necessary.



**3. Reassemble**

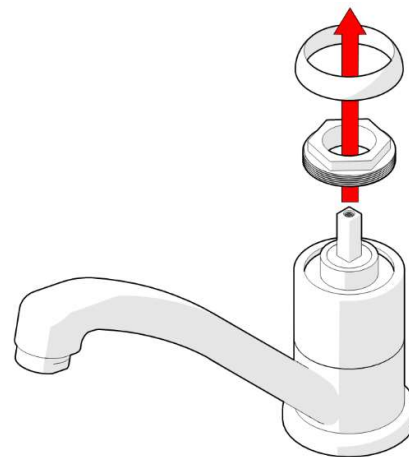
- Reverse steps 2 & 1 to reassemble ensuring the orientation is correct.
- Test for leaks and correct operation

**REMOVE & INSPECT CARTRIDGE**



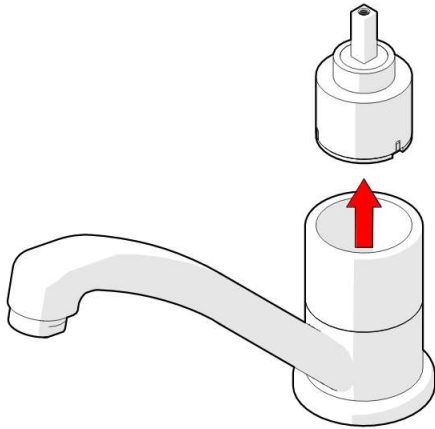
**1. Remove Handle**

- Remove the indicator button and unscrew the grub screw
- Remove the handle as shown



**2. Remove Cap and Retaining Nut**

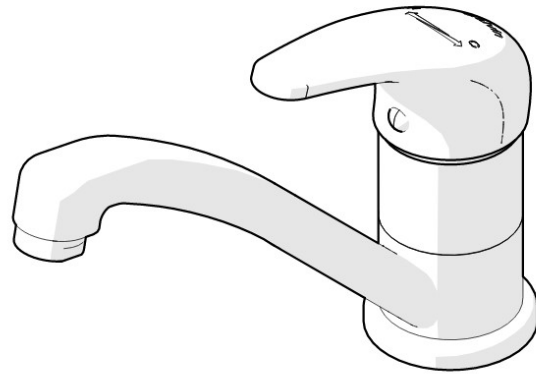
- Unscrew the cap and retaining nut from the body



**3. Remove and Inspect Cartridge**

- Remove Cartridge
- Inspect for debris and clean. Replace if necessary.

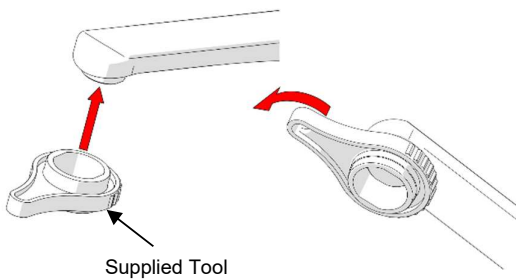
Note: For cartridge replacement, please contact Galvin Engineering.



**4. Reassemble**

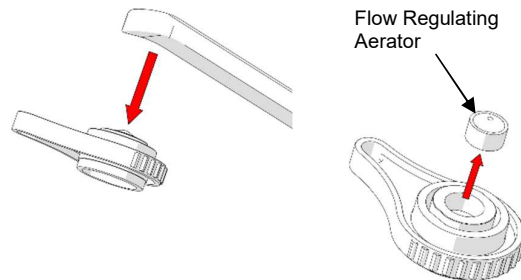
- Reverse steps 1 to 3 to reassemble ensuring the orientation is correct.
- Test for leaks and correct operation.

**SWAPPING FLOW REGULATING AERATOR**



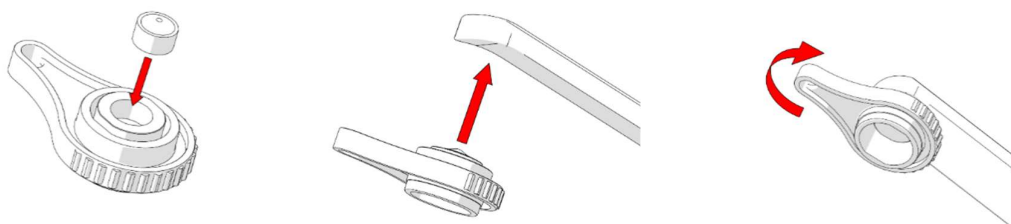
**1. Remove Aerator Housing**

- Using the supplied tool, remove the flow regulating aerator as shown.
- Ensure the flats on the outlet line up with the flats on the tool and turn anti-clockwise.



**2. Remove & Swap**

- Remove the housing and flow regulating aerator.
- Fit the supplied alternative flow regulating aerator.



**3. Reassemble**

- Reverse steps 2 & 1 to reassemble ensuring the orientation is correct.
- Test for leaks and correct operation

**TROUBLESHOOTING**

PROBLEM	CAUSE	RECTIFICATION
Tap is leaking	Headworks are worn or damaged	Remove and inspect the headworks, remove debris and/or replace parts if damaged
	Tap incorrectly installed	Follow the installation steps above when fitting the tap.
Tap has inconsistent flow	Blocked flow regulator	Follow the instructions above to remove flow regulator from the body and check for debris. Install an inline strainer to stop further blockages.
Tap moves on basin	Insufficiently tightened	Follow the steps above in relation to tightening the installation.
Water temperature is opposite to the handle markings	Inlet hoses connected incorrectly	Connect the inlet hoses to the correct inlets as shown above.

**WARRANTY**

The warranty set forth herein is given expressly and is the only warranty given by the Galvin Engineering Pty Ltd. With respect to the product, Galvin Engineering Pty Ltd makes no other warranties, express or implied. Galvin Engineering Pty. Ltd. hereby specifically disclaims all other warranties, express or implied, including but not limited to the implied warranties of merchantability and fitness for a particular purpose.

Galvin Engineering Pty Ltd products are covered under our manufacturer’s warranty available for download from [www.galvinengineering.com.au](http://www.galvinengineering.com.au) Galvin Engineering Pty Ltd expressly warrants that the product is free from operational defects in workmanship and materials for the warranty period as shown on the schedule in the manufacturer’s warranty. During the warranty period, Galvin Engineering will replace or repair any defective products manufactured by Galvin Engineering without charge, so long as the terms of the Manufacturer’s warranty are complied with.

The remedy described in the first paragraph of this warranty shall constitute the sole and exclusive remedy for breach of warranty, and Galvin Engineering Pty Ltd shall not be responsible for any incidental, special or consequential damages, including without limitation, lost profits or the cost of repairing or replacing other property which is damaged if this product does not work properly, other costs resulting from labour charges, delays, vandalism, negligence, fouling caused by foreign material, damage from adverse water conditions, chemical, electrical or any other circumstances over which Galvin Engineering has no control. This warranty shall be invalidated by any abuse, misuse, misapplication, improper installation or improper maintenance or alteration of the product.